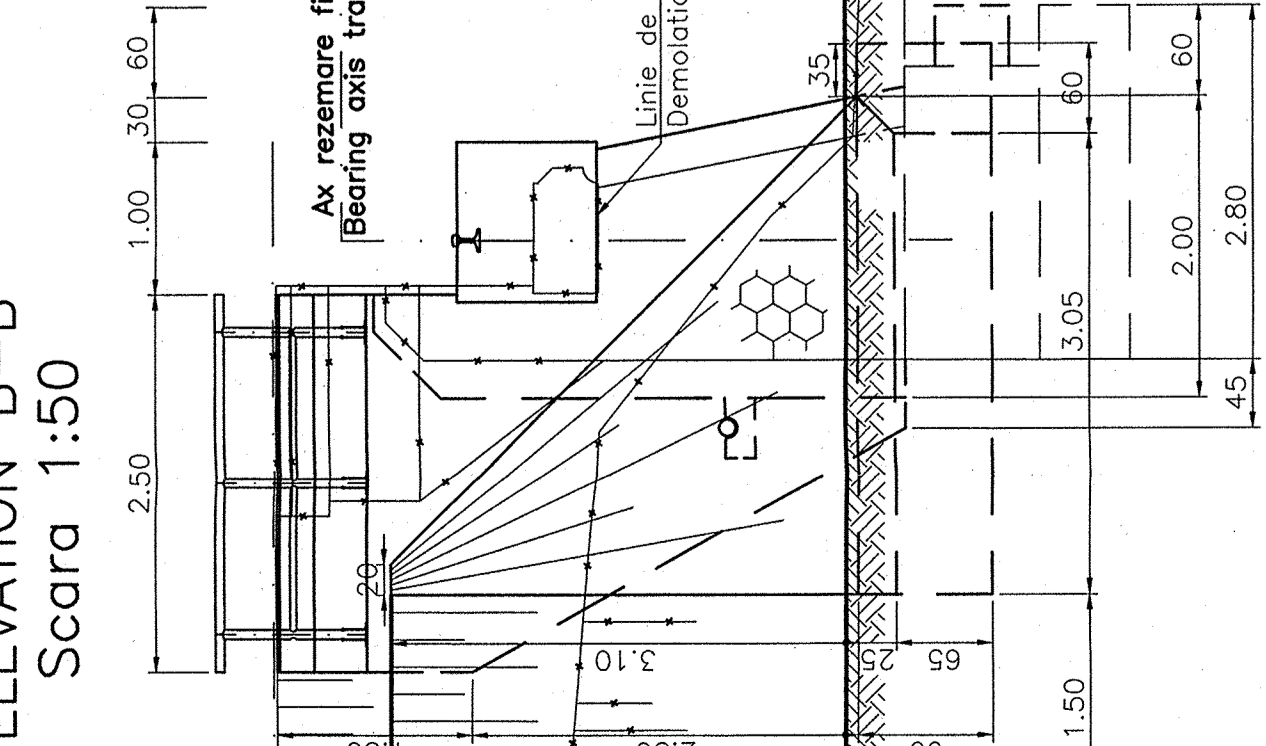
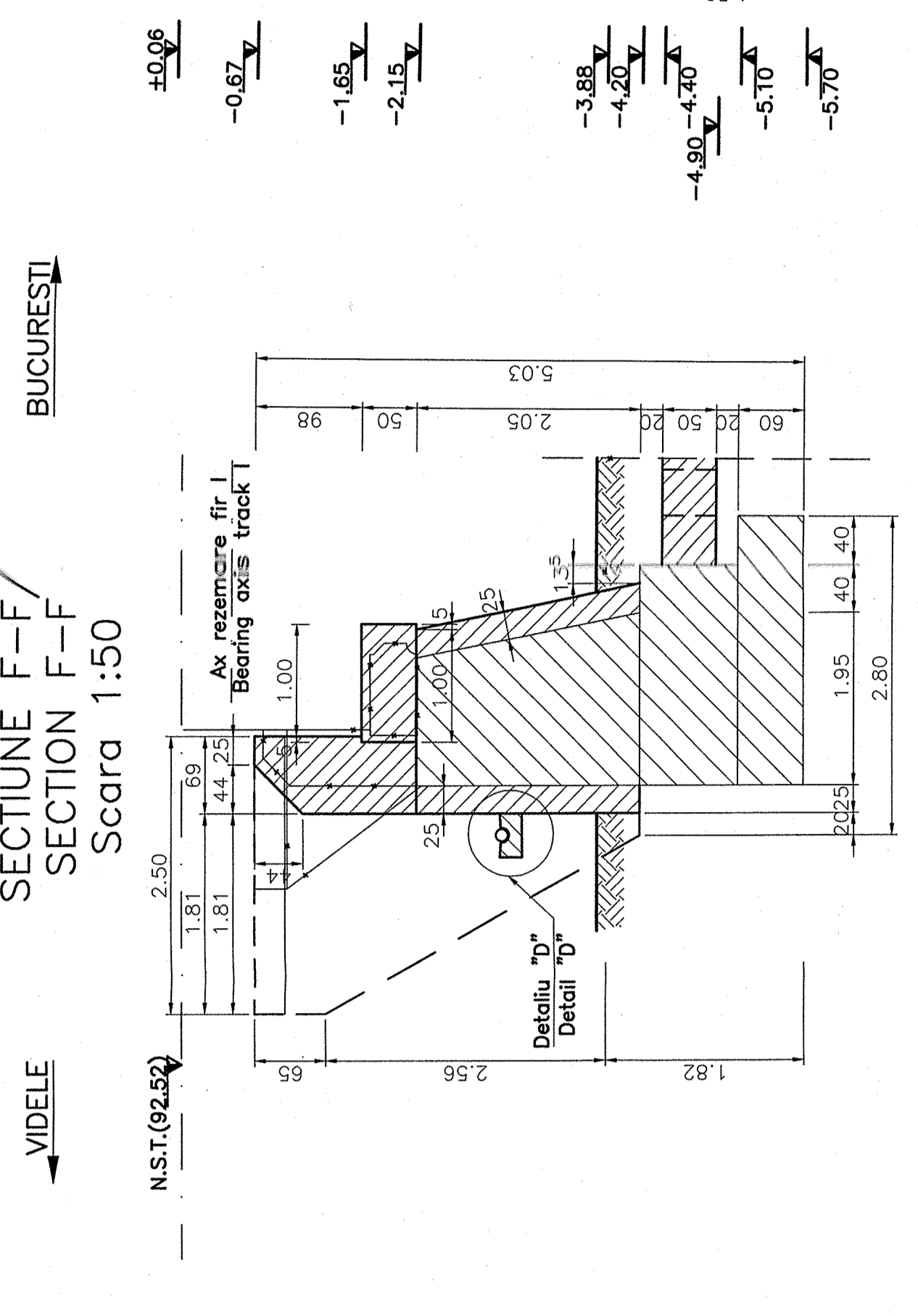
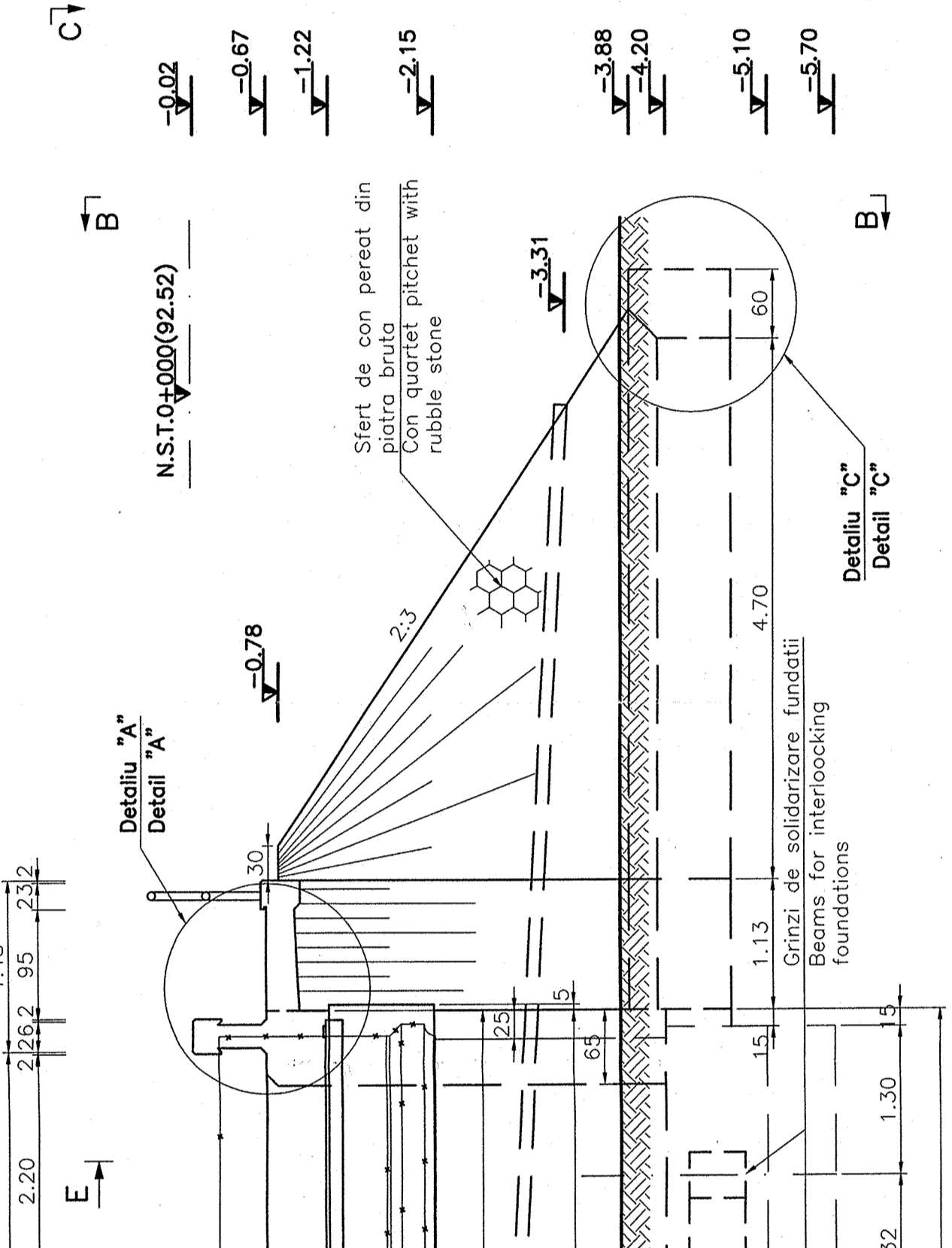
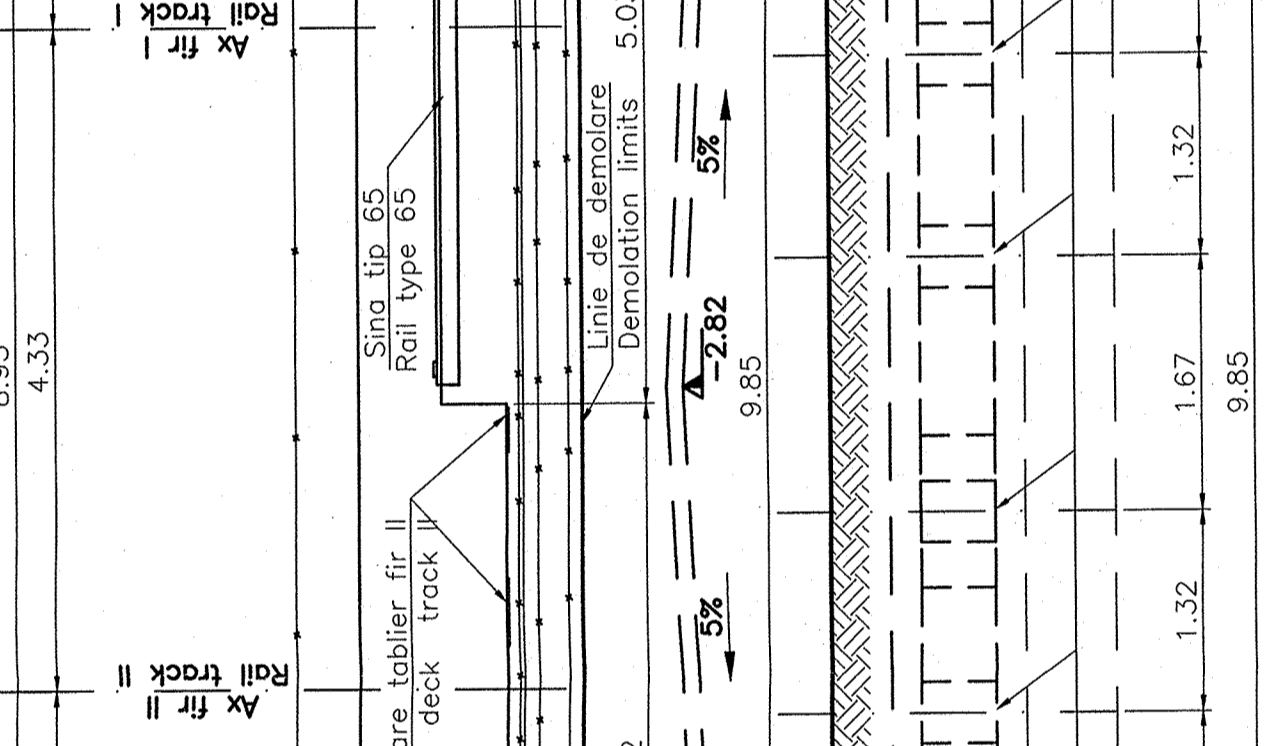


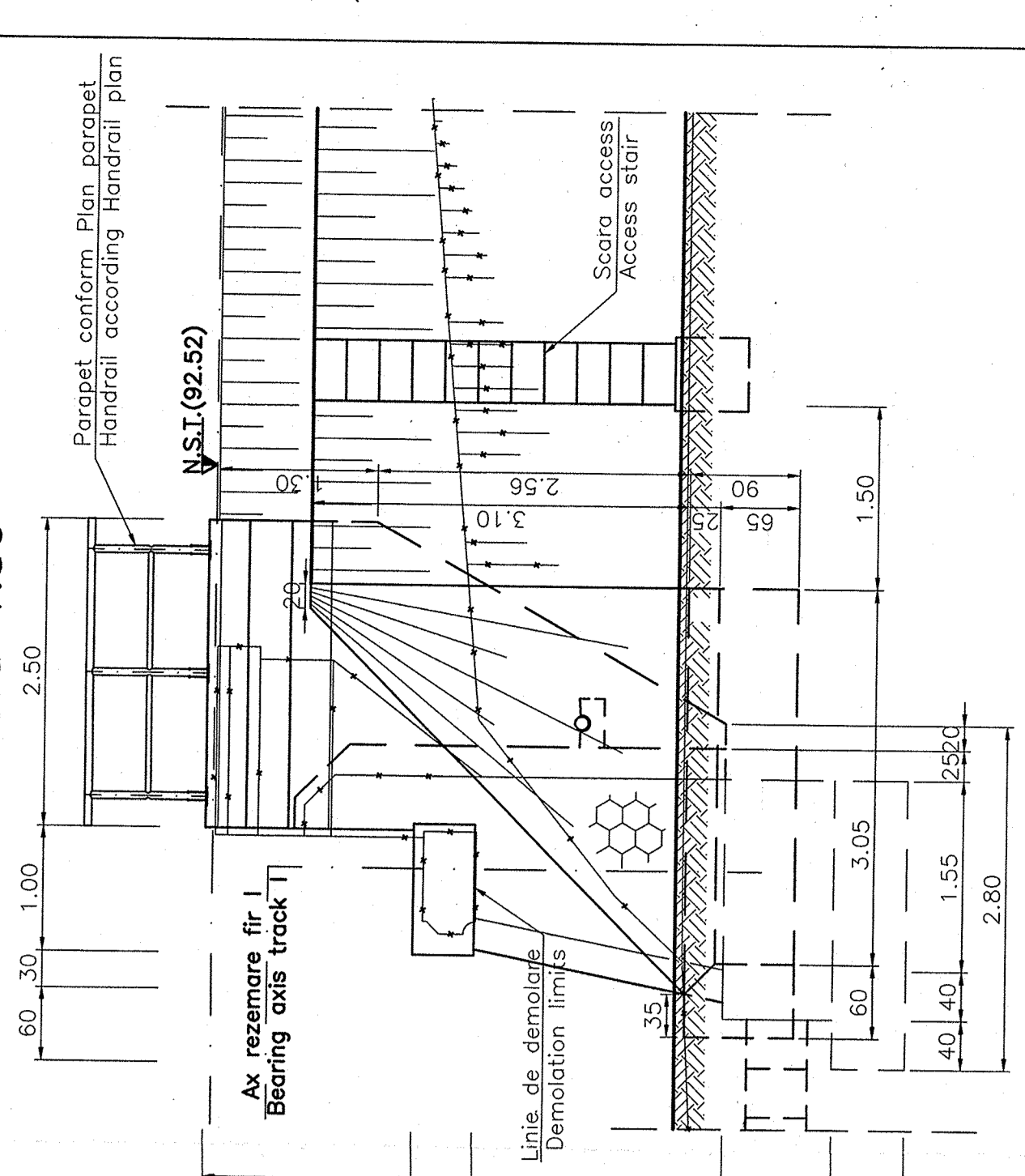
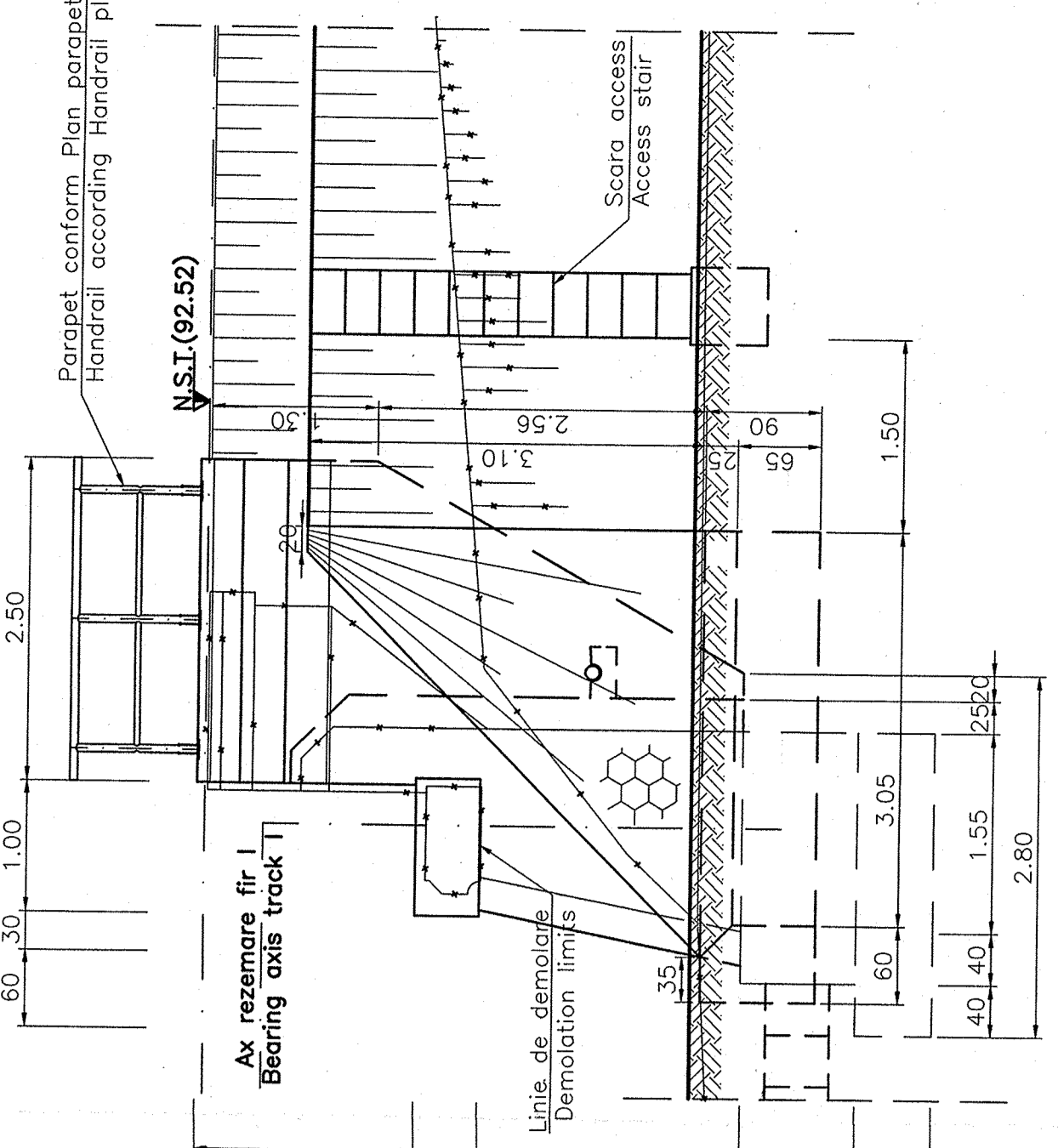
ELEVATIE B-B/
ELEVATION B-B
Scara 1:50



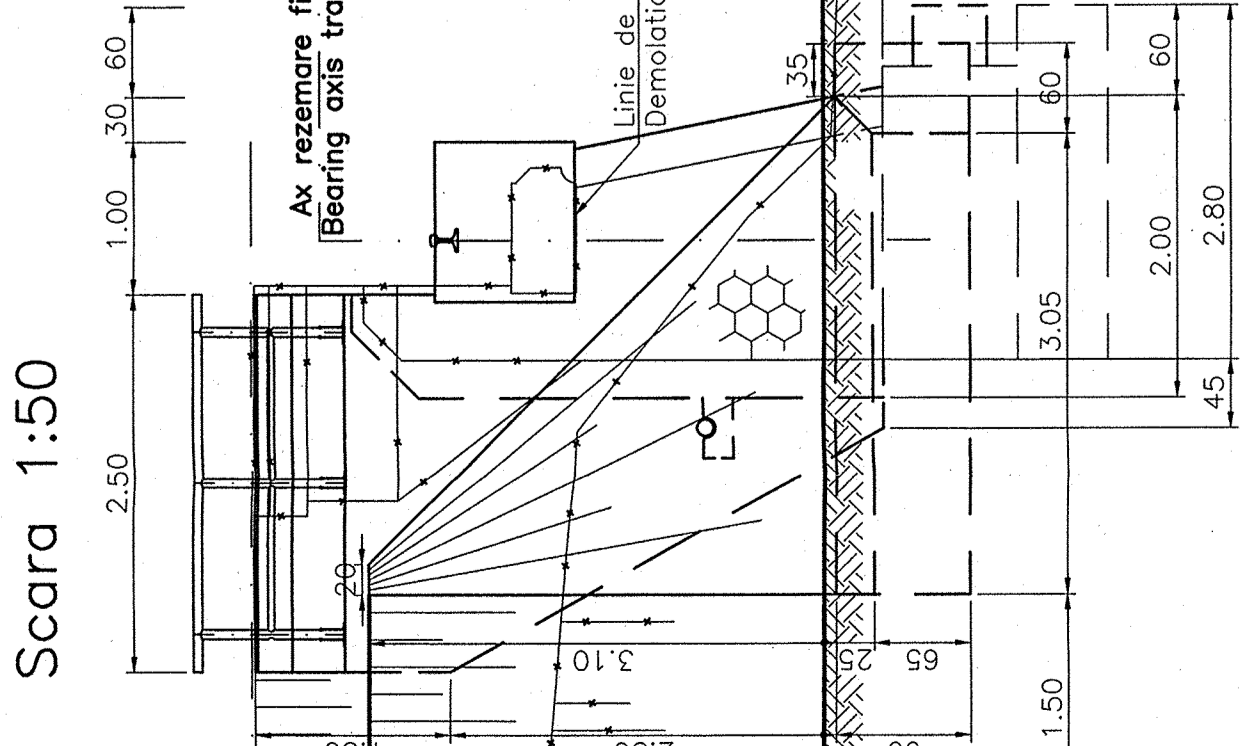
VEDERE DIN FATA A-A/
FRONT VIEW A-A
Scara 1:50



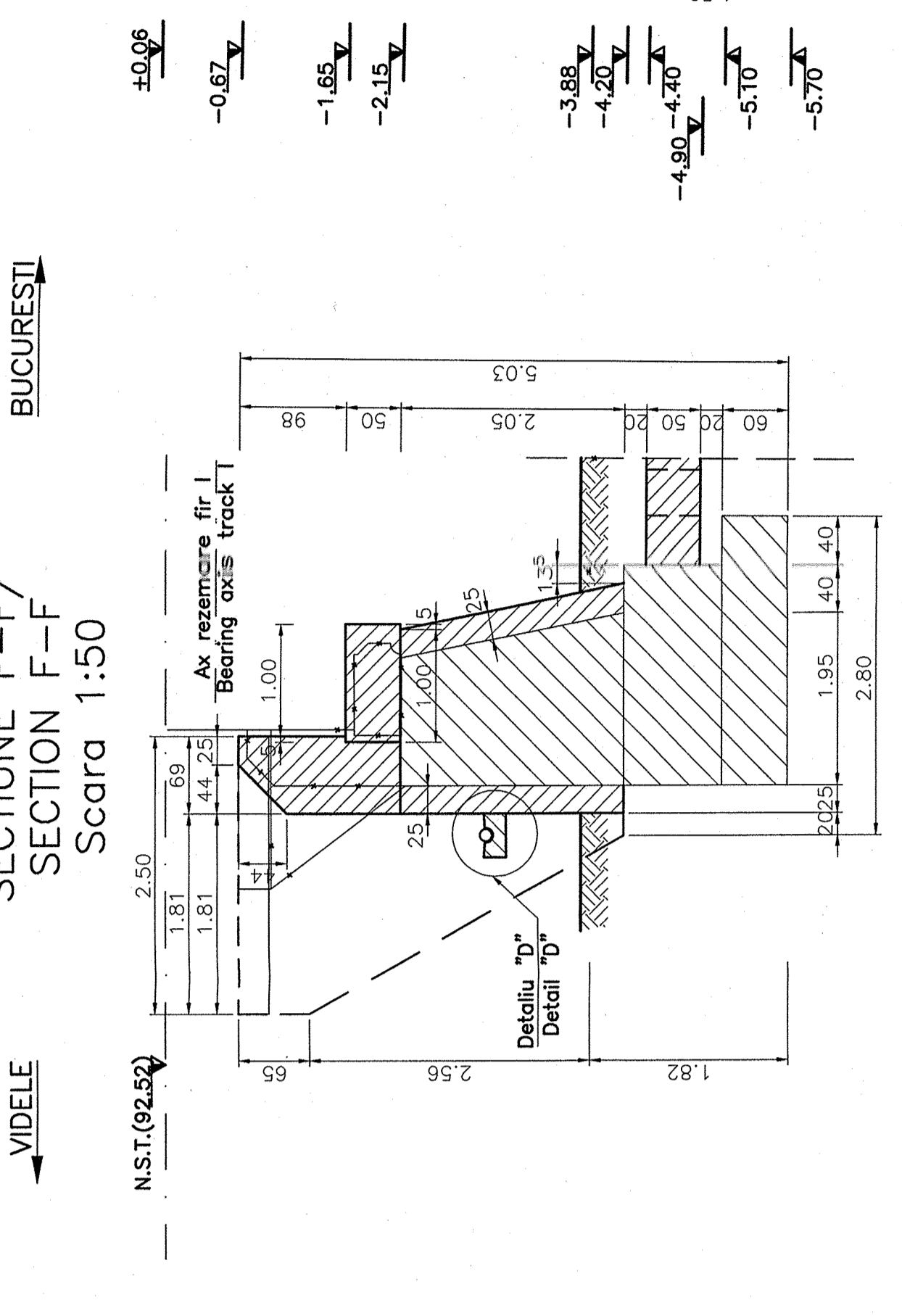
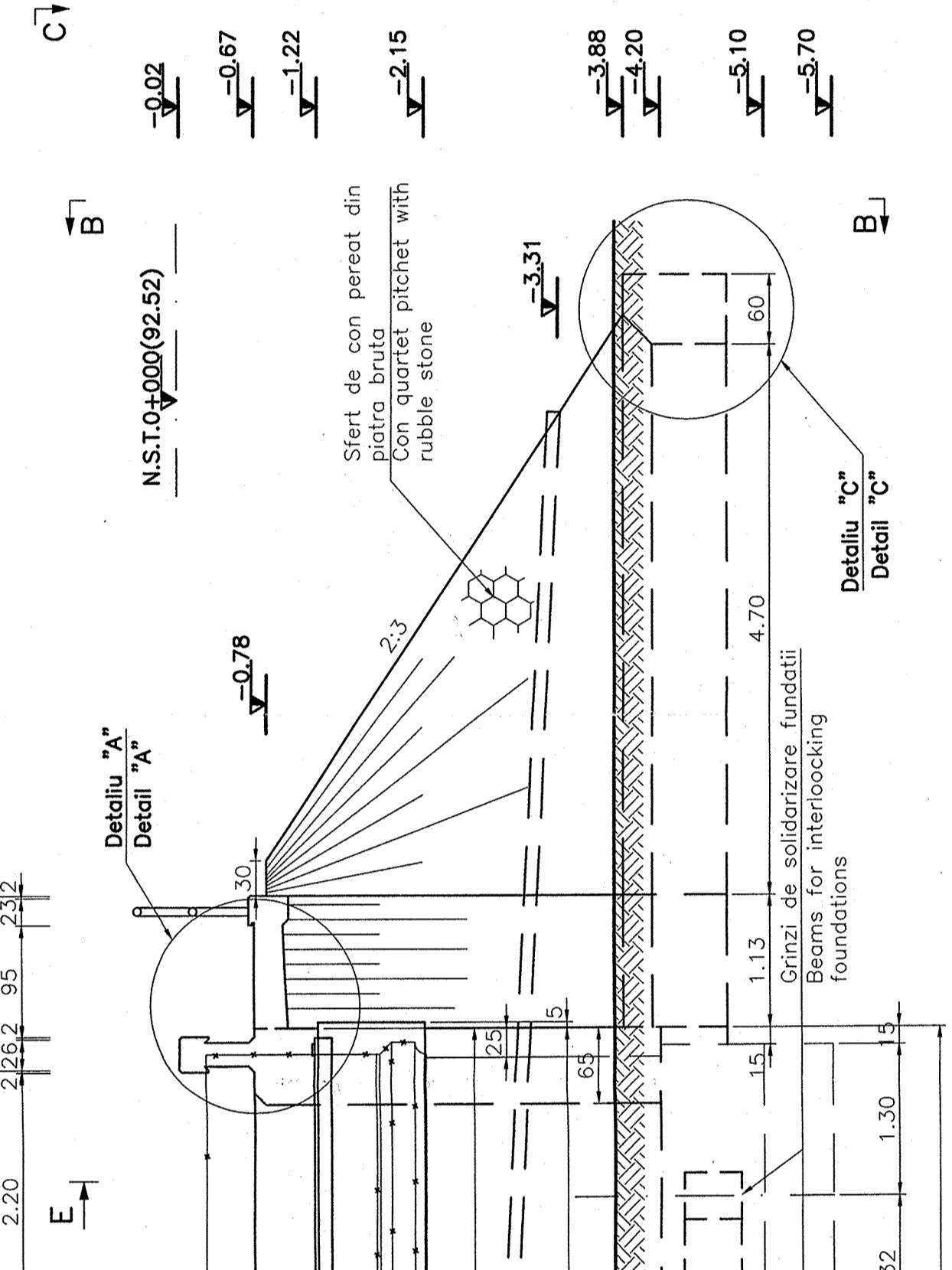
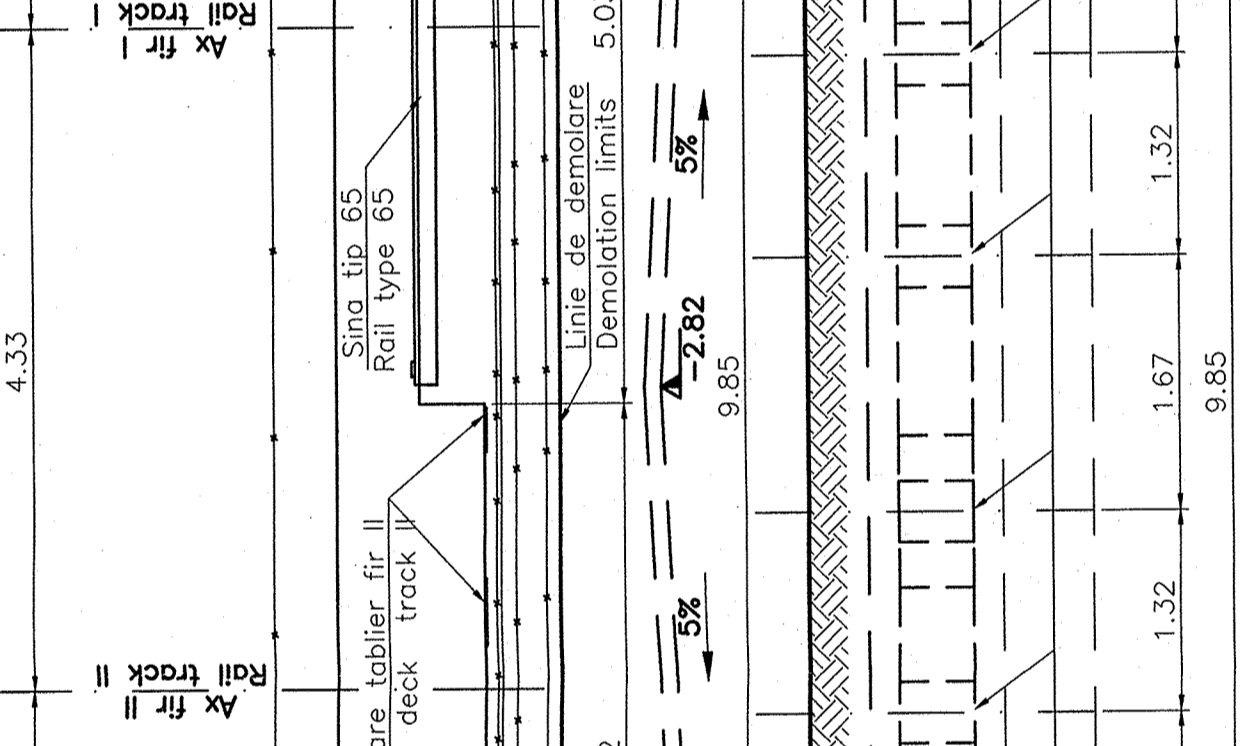
SECTIUNE D-D/
SECTION D-D
Scara 1:50



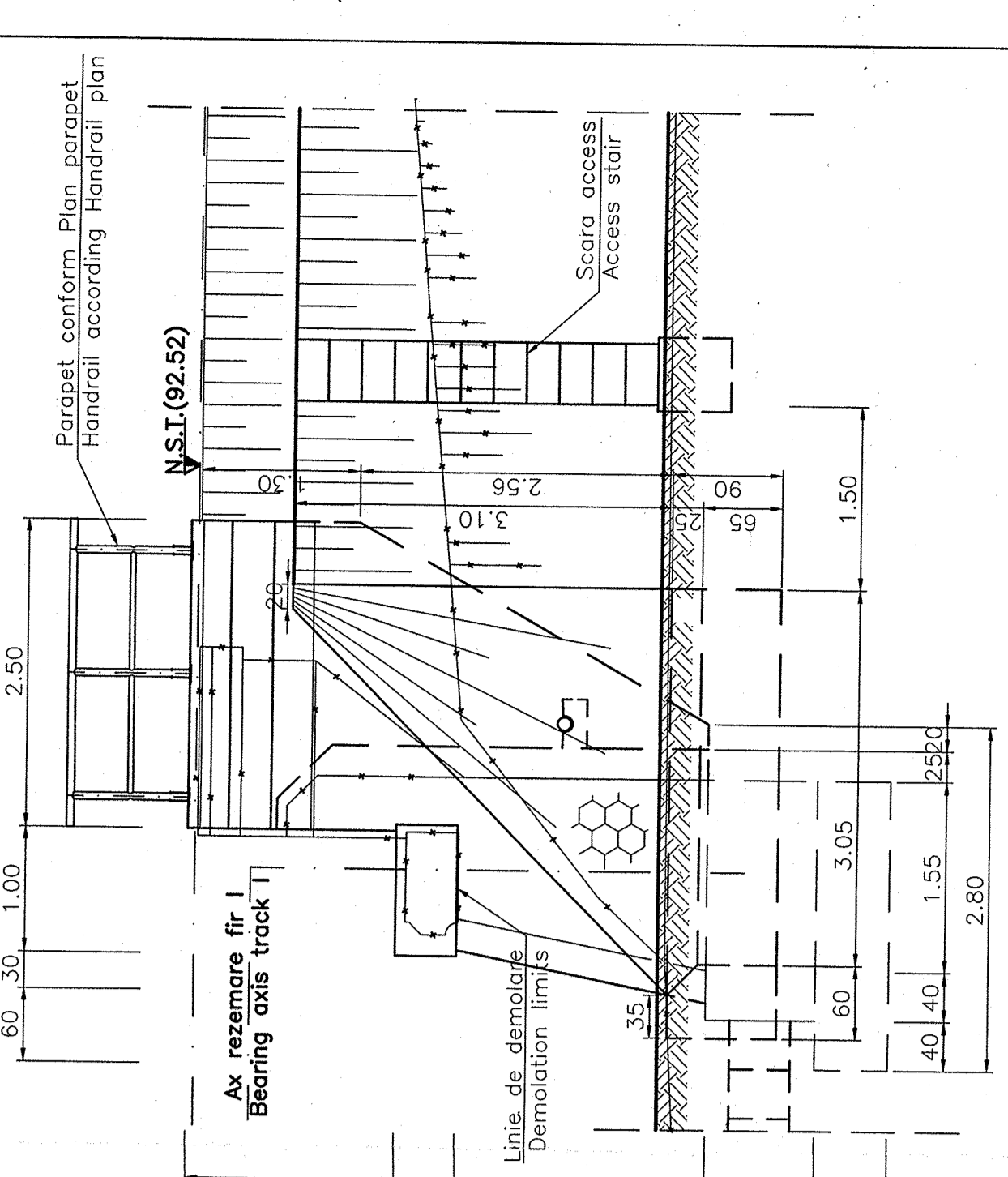
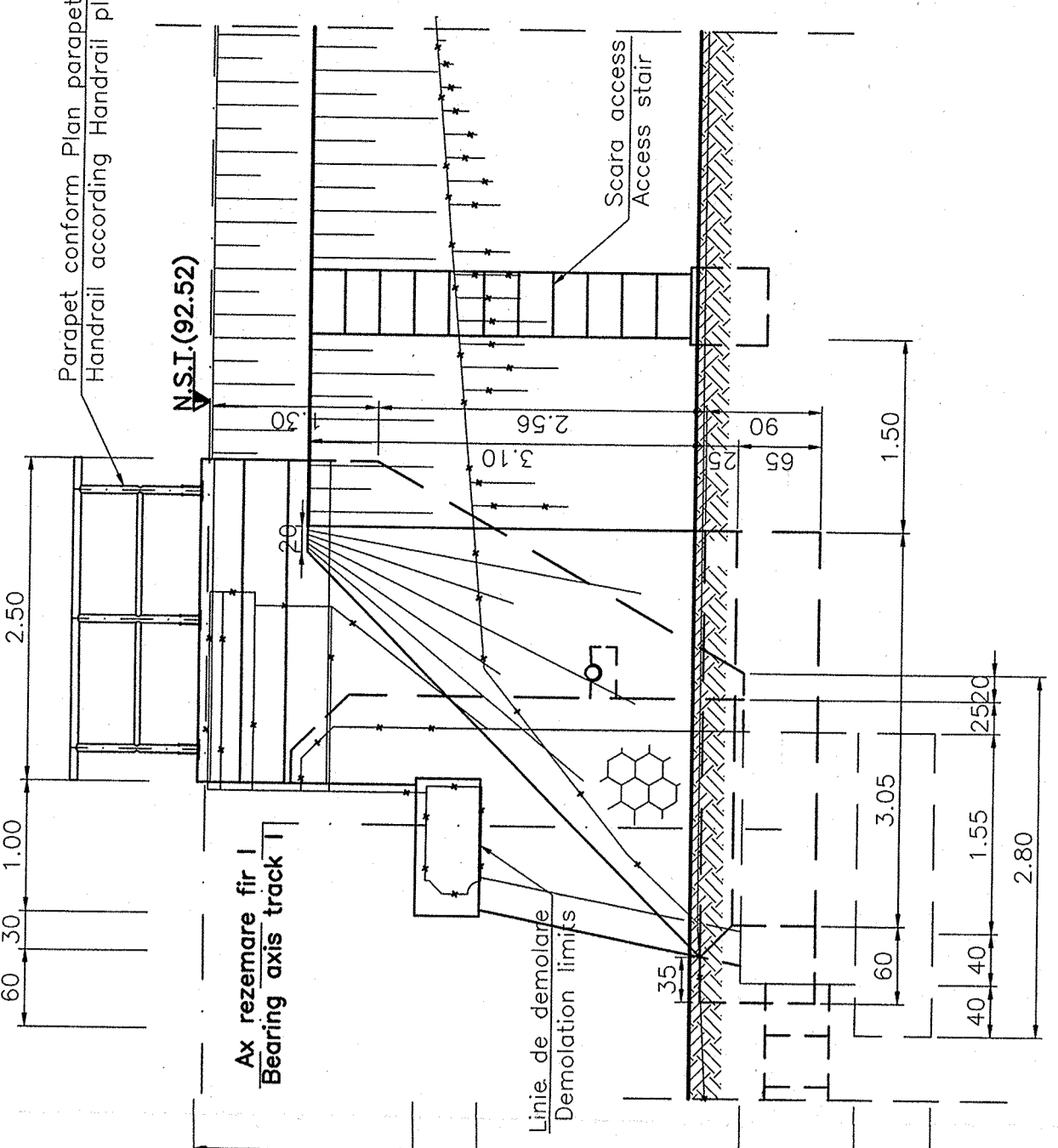
ELEVATIE B-B/
ELEVATION B-B
Scara 1:50



VEDERE DIN FATA A-A/
FRONT VIEW A-A
Scara 1:50



SECTIUNE D-D/
SECTION D-D
Scara 1:50



CERINTE DE DURABILITATE (Durability Requirements table) listing concrete grades, reinforcement types, and protection measures.

DURABILITY REQUIREMENTS (Durability Requirements table) listing concrete grades, reinforcement types, and protection measures.

NOTA (Notes) providing construction instructions and references to technical specifications.

